



GARAGE DOORS

AMERICAN MADE FOR OVER 50 YEARS

RESIDENTIAL ■ COMMERCIAL **GARAGE DOORS**



TRADITIONAL
STEEL PANEL



DESIGNER
STEEL PANEL



MODERN
STEEL PANEL



PREMIUM
HANDCRAFTED



COMMERCIAL
STEEL PANEL

IdealDoorGarageDoors.com

Traditional Steel Panel (Short) with Windows; Shown in White



Designer Steel Panel (Long) with ARCH2 Insert Windows;
Shown in Ultra-Grain® Oak Slate Finish

THINGS TO CONSIDER

WHEN CHOOSING A GARAGE DOOR

CURB APPEAL

A garage door can represent as much as 30% of your home's front façade. Homes with forward-facing garages see immediate improved curb appeal.

VALUE

According to *Remodeling* magazine, replacing your garage door ranks as the number one home improvement project for return on investment!

ENERGY EFFICIENCY & DURABILITY

If your garage is attached to your home, an energy-efficient door can do more than lower energy costs; insulated doors are also quieter and more durable.



IDEAL DOOR offers a complete line of top quality garage doors that are sure to add curb appeal and value to any home.

OUR DOORS ARE MADE IN AMERICA BY AMERICAN WORKERS

We pride ourselves on our skilled American workforce. Based in the midwest for over 50 years, Ideal Door is committed to producing quality garage doors at affordable prices.

WE MAKE GARAGE DOORS

EASY

STEP

1

CHOOSE YOUR GARAGE DOOR STYLE AND DESIGN

TRADITIONAL STEEL PANEL

Classic door styles with varying levels of energy efficiency.

Pages 6–9



DESIGNER STEEL PANEL

Versatile designs feature decorative hardware and larger window styles for a designer's touch.

Pages 10–11



MODERN STEEL PANEL

Clean, simple lines to complement modern exteriors.

Pages 12–13



PREMIUM HANDCRAFTED

Maximize your home's curb appeal with these handcrafted styles.

Pages 16–23



COMMERCIAL STEEL PANEL

Commercial designs for storage sheds, outbuildings and businesses.

Pages 28–29



WE MAKE GARAGE DOORS

EASY

STEP

2

CHOOSE YOUR GARAGE DOOR CONSTRUCTION

BEST

3-LAYER CONSTRUCTION

Steel + Intellicore® Insulation + Steel

- Steel Back Surface
- Finished Interior

18.4
R-VALUE

2"
intellicore®
Warmer. Quieter. Stronger.



12.9
R-VALUE

1-3/8"
intellicore®
Warmer. Quieter. Stronger.

BETTER

3-LAYER CONSTRUCTION

Steel + Polystyrene Insulation + Steel

- Steel Back Surface
- Finished Interior

9.0
R-VALUE

2"
INSULATION



6.5
R-VALUE

1-3/8"
INSULATION

GOOD

2 & 1-LAYER CONSTRUCTION

Steel + Polystyrene Insulation (2-Layer)
Steel (1-Layer)

- Vinyl-Backed Insulation (2-Layer)
- Non-Insulated (1-Layer)

6.3
R-VALUE

1-5/16"
INSULATION



NON
INSULATED



intellcore®
Warmer. Quieter. Stronger.

GARAGE DOORS FEATURING INTELLICORE® INSULATION TECHNOLOGY REPRESENT THE ULTIMATE SMART CHOICE FOR HOMEOWNERS.

Intellcore® by IDEAL Door is a proprietary polyurethane foam that is injected into a garage door, expanding to fill the entire structure. The result is a door with incredible strength and durability.

Its dense insulation also produces a quieter door, while its industry-leading R-values (up to 20.4) provide year-round comfort and improved energy efficiency.



Look for the IntelliCore® icon throughout this brochure on BEST door models.

Warmer.
Quieter.
Stronger.

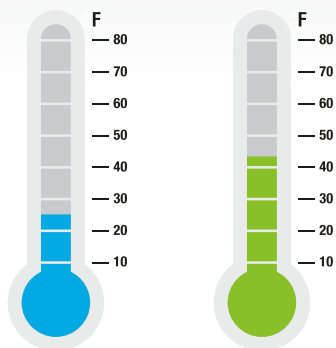
WARMER.

Comfort in every climate

Warmer in winter and cooler in summer by up to 20°

TEMPERATURE COMPARISON

Outdoors vs. Garage with IntelliCore® Insulated Door



OUTDOOR TEMPERATURE, JANUARY

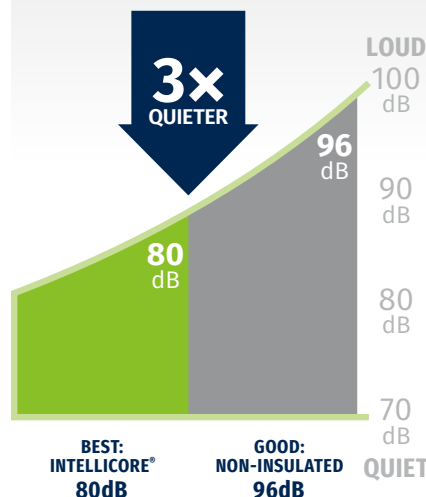
GARAGE TEMPERATURE, JANUARY

QUIETER.

A quieter home is a happier home

Three-times quieter than a non-insulated door

OVERALL VOLUME OF SOUND



BEST: INTELLICORE® 80dB

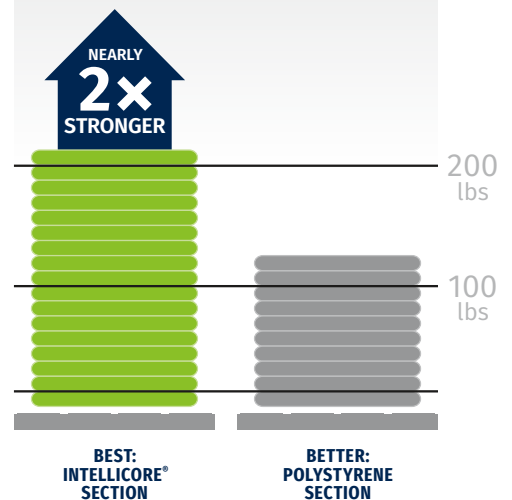
GOOD: NON-INSULATED 96dB

STRONGER.

Built for the toughest conditions

Longer lasting and nearly twice as strong as a polystyrene door

WEIGHT APPLIED UNTIL STRUCTURAL FAILURE



BEST: INTELLICORE® SECTION

BETTER: POLYSTYRENE SECTION

TRADITIONAL STEEL PANEL

With Stockton Windows; Shown in White



TRADITIONAL STEEL PANEL

BEST

3-LAYER CONSTRUCTION

STEEL + INTELICORE® INSULATION + STEEL



With Madison Arch Windows; Shown in Sandtone

TRADITIONAL STEEL PANEL DESIGNS TO COMPLEMENT A WIDE RANGE OF HOME STYLES

Traditional garage door designs combine classic beauty with varying levels of energy efficiency. Add windows to allow natural light into your garage and coordinate with other design elements on your home.

- BEST construction features Intellicore® insulation to provide maximum energy efficiency
- Deep panel stamping improves appearance close-up and from the curb



18.4 **2"**
R-VALUE **intellcore®**
Warmer. Quieter. Stronger.

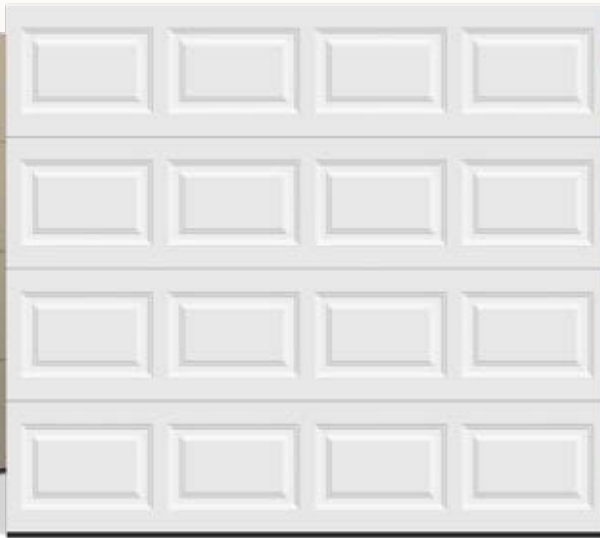
12.9 **1-3/8"**
R-VALUE **intellcore®**
Warmer. Quieter. Stronger.

TRADITIONAL STEEL PANEL

POPULAR DESIGNS that turn your garage into the focal point of your home



With Stockton Windows; Shown in Sandtone



Shown in White



With Plain Windows; Shown in Chocolate

PANEL DESIGNS that enhance your home's architecture



ELEGANT SHORT PANEL DESIGN



ELEGANT LONG PANEL DESIGN

COLORS to complement your home



White Almond Desert Tan Sandtone



Chocolate Mocha Brown Bronze Hunter Green



Gray Charcoal Black Ultra-Grain® Medium Finish



Ultra-Grain® Cherry Finish Ultra-Grain® Walnut Finish

Due to the printing process, colors may vary.

WINDOWS

Many options available to add natural light to your garage while adding curb appeal to your home



See page 14 for full window availability.

WARRANTIES and additional information

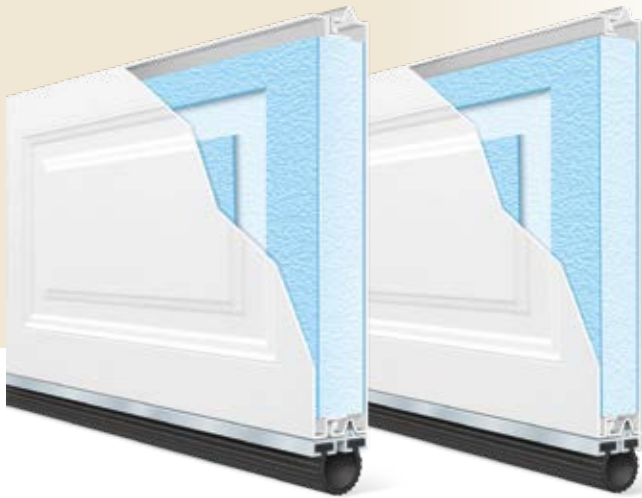
LIFE	FINISHED INTERIOR	HEAVY DUTY	EZSET TORSION	OPENER READY	TRACK, SPRINGS & HARDWARE
PAINT	STEEL	HARDWARE	SPRING	BRACKET	INCLUDED

WARRANTY **BACK SURFACE**

BETTER

3-LAYER CONSTRUCTION

STEEL + INSULATION + STEEL



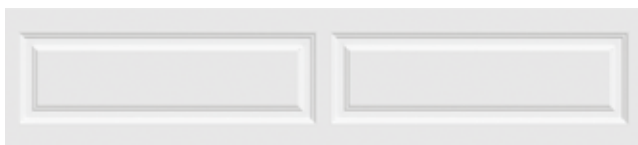
9.0
R-VALUE **2"**
POLYSTYRENE

6.5
R-VALUE **1-3/8"**
POLYSTYRENE

PANEL DESIGNS that enhance your home's architecture



ELEGANT SHORT PANEL DESIGN



ELEGANT LONG PANEL DESIGN

COLORS to complement your home



WINDOWS

Many options available to add natural light to your garage while adding curb appeal to your home

See page 14 for full window availability.



WARRANTIES and additional information



GOOD

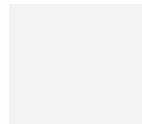
2 & 1-LAYER CONSTRUCTION

STEEL + INSULATION

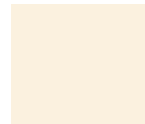
STEEL (NON-INSULATED)



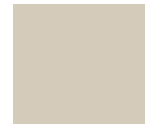
COLORS to complement your home



White



Almond



Desert Tan



Sandtone



Chocolate

Due to the printing process, colors may vary.

6.3
R-VALUE **1-5/16"**
VINYL-BACKED POLYSTYRENE

PANEL DESIGNS that enhance your home's architecture



RAISED SHORT PANEL DESIGN



RAISED LONG PANEL DESIGN

WINDOWS

Many options available to add natural light to your garage while adding curb appeal to your home

See page 14 for full window availability.



WARRANTIES and additional information

1-5/16" VINYL-BACKED GOOD MODELS

LIFE
PAINT
WARRANTY

EZSET[®]
TORSION
SPRING

OPENER
READY
BRACKET

TRACK,
SPRINGS &
HARDWARE
INCLUDED

NON-INSULATED GOOD MODELS

15YR
PAINT
WARRANTY

EXTENSION
SPRINGS

TRACK,
SPRINGS &
HARDWARE
INCLUDED

DESIGNER STEEL PANEL

With REC14 Windows; Shown in White



DESIGNER STEEL PANEL

BEST



With ARCH2 Insert Windows; Shown in Ultra-Grain® Oak Walnut Finish

GROOVED PANEL DESIGNS TO GIVE YOUR HOME A STYLISH DESIGNER TOUCH

Large windows and decorative hardware lend designer flavor that complements every home style. A truly versatile design offering several construction and design options to increase your home's curb appeal.

- BEST construction features Intellicore® insulation to provide maximum energy efficiency
- Deep panel stamping improves appearance close-up and from the curb

3-LAYER CONSTRUCTION

STEEL + INTELICORE® INSULATION + STEEL



18.4 **2"**
R-VALUE **intellcore®**
Warmer. Quieter. Stronger.

12.9 **1-3/8"**
R-VALUE **intellcore®**
Warmer. Quieter. Stronger.

BETTER

3-LAYER CONSTRUCTION

STEEL + INSULATION + STEEL



9.0 **2"**
R-VALUE POLYSTYRENE

6.5 **1-3/8"**
R-VALUE POLYSTYRENE

GOOD

2 & 1-LAYER CONSTRUCTION

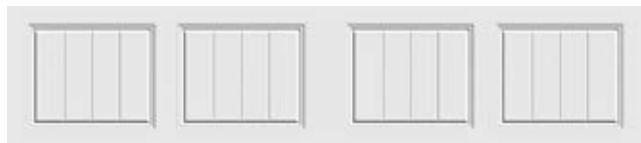
STEEL + INSULATION

STEEL (NON-INSULATED)



6.3 **1-5/16"**
R-VALUE VINYL-BACKED POLYSTYRENE

PANEL DESIGNS that enhance your home's architecture



DESIGNER SHORT PANEL DESIGN



DESIGNER LONG PANEL DESIGN

COLORS to complement your home



WINDOWS

Many options available to add natural light to your garage while adding curb appeal to your home



See page 15 for full window availability.

WARRANTIES and additional information

LIFE PAINT	FINISHED INTERIOR STEEL	HEAVY DUTY HARDWARE	EZSET TORSION SPRING	OPENER READY BRACKET	TRACK, SPRINGS & HARDWARE INCLUDED
WARRANTY BEST/BETTER MODELS 15 YEAR ON GOOD MODELS	BACK SURFACE BEST/BETTER MODELS	BEST MODELS	ALL MODELS	BEST/BETTER MODELS	ALL MODELS

MODERN STEEL PANEL

With Obscure Windows; Shown in Ultra-Grain® Cypress Slate Finish



MODERN STEEL PANEL

BEST

3-LAYER CONSTRUCTION

STEEL + INTELICORE® INSULATION + STEEL

With Obscure Windows; Shown in Ultra-Grain® Cypress Slate Finish

CLEAN AND SIMPLE LINES TO COMPLEMENT MODERN EXTERIORS

Modern Steel Panel garage doors are the perfect complement to both contemporary and mid-century modern home styles. Available with or without windows and with or without panel grooves, these doors will create the perfect look for your home.

- BEST construction features Intellicore® insulation to provide maximum energy efficiency
- Smooth and grooved panel stamping improves appearance close-up and from the curb



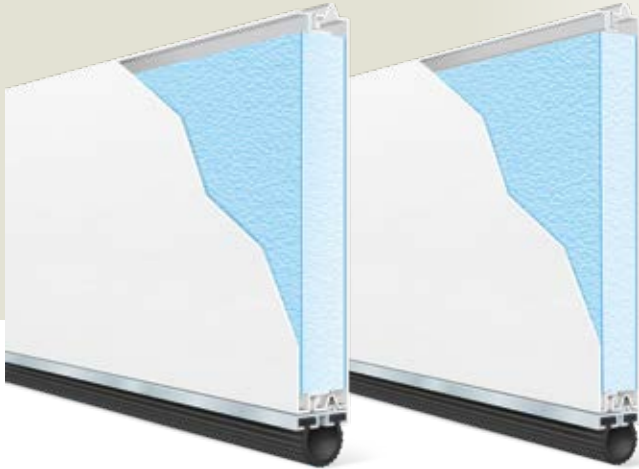
18.4 **2"**
R-VALUE **intellcore®**
Warmer. Quieter. Stronger.

12.9 **1-3/8"**
R-VALUE **intellcore®**
Warmer. Quieter. Stronger.

BETTER

3-LAYER CONSTRUCTION

STEEL + INSULATION + STEEL



9.0 **2"**
R-VALUE POLYSTYRENE

6.5 **1-3/8"**
R-VALUE POLYSTYRENE

GOOD

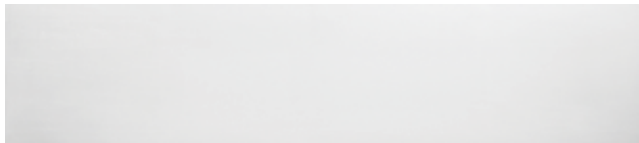
2-LAYER CONSTRUCTION

STEEL + INSULATION



6.3 **1-5/16"**
R-VALUE VINYL-BACKED POLYSTYRENE

PANEL DESIGNS that enhance your home's architecture



SMOOTH PANEL DESIGN



GROOVED PANEL DESIGN

WINDOWS

Many options available to add natural light to your garage while adding curb appeal to your home



See pages 14-15 for full window availability.

COLORS to complement your home



NOTE: Not all colors are available on GOOD doors. Due to the printing process, colors may vary.

WARRANTIES and additional information

LIFE PAINT	FINISHED INTERIOR STEEL	HEAVY DUTY HARDWARE	EZSET TORSION SPRING	OPENER READY BRACKET	TRACK, SPRINGS & HARDWARE INCLUDED
WARRANTY ALL MODELS	BACK SURFACE BEST/BETTER MODELS	BEST MODELS	ALL MODELS	BEST/BETTER MODELS	ALL MODELS



WINDOWS

Add natural light to your garage while adding curb appeal to your home.

TRADITIONAL STEEL PANEL & MODERN STEEL PANEL

UV-protected, color-matched inserts simply snap-in over plain glass windows. Inserts are removable for easy cleaning. Window inserts can be installed inside or outside.



Plain Short



Prairie Short



Charleston Short



Plain Long



Prairie Long



Charleston Long



Stockton Short



Sherwood Short



Madison Long



Stockton Long



Sherwood Long



Madison Arch



Sunrise Short



Williamsburg Short (Double Wide Doors)



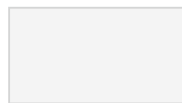
Sunrise Long



Williamsburg Long (Double Wide Doors)

CHOOSE YOUR GLASS STYLE

Windows are available single pane or insulated in clear, frosted, obscure, seeded and rain designs.



Clear



Frosted



Obscure



Seeded



Rain



Stylish window designs, whether traditional grilles, classic wrought iron, or artistic abstract designs, add interest to your garage while accenting other architectural elements of your home.

DESIGNER STEEL PANEL & MODERN STEEL PANEL



Short Plain



ARCH1 Plain



ARCH2 Plain



Long Plain



ARCH1 Insert



ARCH2 Insert



Short Square SQ22



ARCH1 Vertical Insert



ARCH2 Vertical Insert



Long Square SQ24



ARCH3 Plain (Double Wide Doors)



Short Rectangle REC12



ARCH3 Insert (Double Wide Doors)



Long Rectangle REC14



ARCH3 Vertical Insert (Double Wide Doors)



Short Kristin®



Short Trenton®



Short Clayton™



Long Kristin®



Long Trenton®



Long Clayton™



Short Wrought Iron (Acrylic)*



Long Wrought Iron (Acrylic)*



ARCH Wrought Iron (Acrylic)*

PREMIUM HANDCRAFTED ■ BEST 5-LAYER

Design 12 with SQ23 Windows; Shown in Dark Finish



PREMIUM HANDCRAFTED BEST 5-LAYER

Design 22 with SQ23 Windows; Shown in Medium Finish

MAXIMUM CURB APPEAL WITH A TRUE HANDCRAFTED TOUCH

This timeless look works with many homes, including Craftsman, farmhouse and transitional styles. Choose cross buck panels with windows and decorative hardware for stylish old world charm.

- 5-layer steel garage doors with faux wood overlay
- BEST construction features Intellicore® insulation to provide maximum energy efficiency
- Attractive, beveled edge clip-in window grilles are removable for ease of cleaning

STEEL + INSULATION + STEEL + CLADDING + COMPOSITE OVERLAY



20.4 **2"**
R-VALUE **intellcore**
Warmer. Quieter. Stronger.

DOOR DESIGNS that enhance your home's architecture

SERIES 1



Design 11



Design 12



Design 13

SERIES 2



Design 21



Design 22



Design 23

SERIES 3



Design 31



Design 32



Design 33



Design 34



Design 35



Design 36



Design 37



Design 38

WINDOWS add natural light to your garage while adding curb appeal to your home



TOP11 (Solid)



TOP12 (Solid)



TOP13 (Solid)



ARCH1 (Solid)



REC11



ARCH1



REC13



REC14



SQ23



SQ24



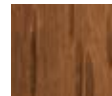
ARCH3



ARCH4

MATERIALS & COLORS to complement your home

CLADDING MATERIALS



Pecky Cypress



Clear Cypress



Mahogany

OVERLAY MATERIALS



Clear Cypress



Mahogany

FACTORY FINISHES



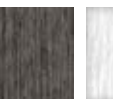
Walnut Finish



Dark Finish



Medium Finish



Slate Finish



Whitewash Finish

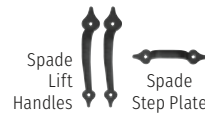


Primed (No Finish)

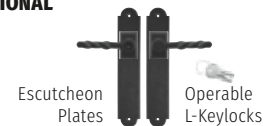
Due to the printing process, colors may vary.

DECORATIVE HARDWARE completes the look

INCLUDED



OPTIONAL



See page 26 for additional hardware options.

WARRANTIES and additional information

LIFE	FINISHED INTERIOR	HEAVY DUTY	EZSET TORSION	OPENER READY	TRACK, SPRINGS & HARDWARE
PAINT	STEEL	HARDWARE	SPRING	BRACKET	INCLUDED
WARRANTY		BACK SURFACE			

PREMIUM HANDCRAFTED ■ BEST 4-LAYER

Design 12 with ARCH4 Windows; Shown in Ultra-Grain® Cypress Slate Finish



PREMIUM HANDCRAFTED

BEST 4-LAYER



Design 13 with ARCH3 Windows; Shown in Walnut Finish

MAXIMUM CURB APPEAL WITH A TRUE HANDCRAFTED TOUCH

This timeless look works with many homes, including Craftsman, farmhouse and transitional styles. Choose cross buck panels with windows and decorative hardware for stylish old world charm.

- Durable, 4-layer steel construction with Ultra-Grain® woodgrain paint finish
- BEST construction features Intellicore® insulation to provide maximum energy efficiency
- Attractive, beveled edge clip-in window grilles are removable for ease of cleaning

STEEL + INSULATION + STEEL + COMPOSITE OVERLAY



18.4 **2"**
R-VALUE **intellcore**
Warmer. Quieter. Stronger.

DOOR DESIGNS that enhance your home's architecture

SERIES 1



Design 11



Design 12



Design 13

SERIES 2



Design 21



Design 22



Design 23

SERIES 3



Design 31



Design 32



Design 33



Design 34



Design 35



Design 36



Design 37



Design 38

WINDOWS add natural light to your garage while adding curb appeal to your home



TOP11 (Solid)



TOP12 (Solid)



TOP13 (Solid)



ARCH1 (Solid)



REC11



ARCH1



REC13



REC14



SQ23



SQ24



ARCH3



ARCH4

MATERIALS & COLORS to complement your home

BASE MATERIAL



Ultra-Grain®
Cypress

OVERLAY MATERIALS



Clear Cypress

FACTORY FINISHES



Ultra-Grain®
Cypress
Medium Finish



Ultra-Grain®
Cypress
Walnut Finish

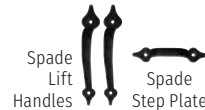


Ultra-Grain®
Cypress
Slate Finish

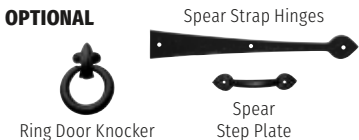
Due to the printing process, colors may vary.

DECORATIVE HARDWARE completes the look

INCLUDED



OPTIONAL



See page 26 for additional hardware options.

WARRANTIES and additional information

LIFE	FINISHED INTERIOR	HEAVY DUTY	EZSET™ TORSION	OPENER READY	TRACK, SPRINGS & HARDWARE INCLUDED
PAINT WARRANTY	STEEL BACK SURFACE	HARDWARE	SPRING	BRACKET	

PREMIUM HANDCRAFTED ■ BETTER 4-LAYER

Design 13 with SQ24 Windows; Shown in White



Design 12 with ARCH3 Windows; Shown in Almond with White Overlays

MAXIMUM CURB APPEAL WITH A TRUE HANDCRAFTED TOUCH

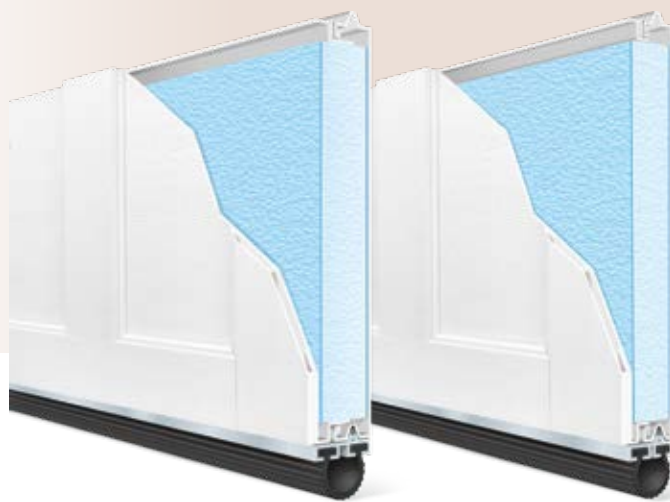
This timeless look works with many homes, including Craftsman, farmhouse and transitional styles. Choose cross buck panels with windows and decorative hardware for stylish old world charm.

- Durable, 4-layer steel construction with polystyrene insulation
- Natural woodgrain texture with beveled, coped edge composite overlays
- Large windows feature removable grilles for ease of cleaning

PREMIUM HANDCRAFTED

BETTER 4-LAYER

STEEL + INSULATION + STEEL + COMPOSITE OVERLAY



9.0
R-VALUE 2"
POLYSTYRENE

6.5
R-VALUE 1-3/8"
POLYSTYRENE

DOOR DESIGNS that enhance your home's architecture

SERIES 1



Design 11

SERIES 2



Design 21

SERIES 3



Design 31

SERIES 4



Design 41



Design 12



Design 22



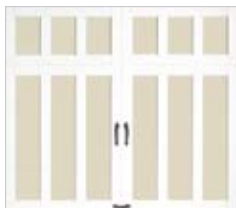
Design 33



Design 34



Design 42



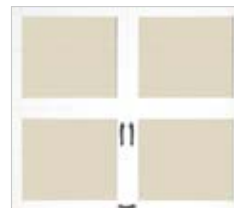
Design 13



Design 23



Design 35



Design 36



Design 43

WINDOWS add natural light to your garage while adding curb appeal to your home



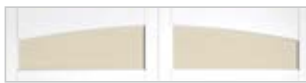
TOP11 (Solid)



TOP12 (Solid)



TOP13 (Solid)



ARCH1 (Solid)



REC11



ARCH1



REC13



REC14



SQ23



SQ24



ARCH3



ARCH4

Series 3 and 4 not available with windows. Windows are standard with 1/8" double strength clear glass or optional obscure glass with removable insert grilles.

COLORS to complement your home



White

Almond

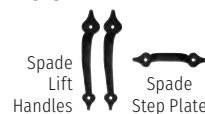
Desert Tan

Sandtone

Door and overlay colors may be mixed and matched. Due to the printing process, colors may vary.

DECORATIVE HARDWARE completes the look

INCLUDED



OPTIONAL



See page 26 for additional hardware options.

WARRANTIES and additional information



PREMIUM HANDCRAFTED ■ GOOD 2-LAYER

Design 2 with SQ24 Windows;
Factory Stained in Mahogany



PREMIUM HANDCRAFTED GOOD 2-LAYER



Design 2 with RECT13 Windows; Shown Unfinished

MAXIMUM CURB APPEAL WITH A TRUE HANDCRAFTED TOUCH

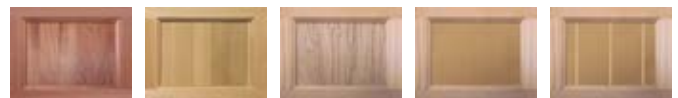
This timeless look works with many homes, including Craftsman, farmhouse and transitional styles. Choose cross buck panels with windows and decorative hardware for stylish old world charm.

- Handcrafted 2-layer wood construction
- Available in Redwood, Cedar or Hemlock wood types
- Proper care and maintenance is required for continued beauty and longevity

WOOD + WOOD



AVAILABLE WOOD TYPES



Redwood
(Stain Grade)

Cedar
(Stain Grade)

Hemlock
(Stain Grade)

Hemlock
Smooth
(Paint Grade)

Hemlock
Grooved
(Paint Grade)

DOOR DESIGNS that enhance your home's architecture



Design 1



Design 2



Design 3



Design 4



Design 5



Design 6

WINDOWS add natural light to your garage while adding curb appeal to your home



ARCH1 (Solid)



ARCH3



ARCH4



REC13



REC14



SQ23



SQ24

FULLY CUSTOM DOORS designed to any specification



Choose existing, modify existing or create an original design. Each door is individually quoted and made custom per order.

OPTIONAL FACTORY STAINS to complement your home



Natural

Cedar

Teak

Mahogany



Butternut



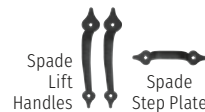
Dark Oak

Important Notes: Door must be painted or stained according to installation instructions prior to installation. Factory stains are not available on doors that contain paint grade materials.

Not all wood types stain equally and all stain colors will vary in appearance on all wood types. Variations in color will occur from printed material to actual doors, or even from door to door.

DECORATIVE HARDWARE completes the look

INCLUDED



OPTIONAL



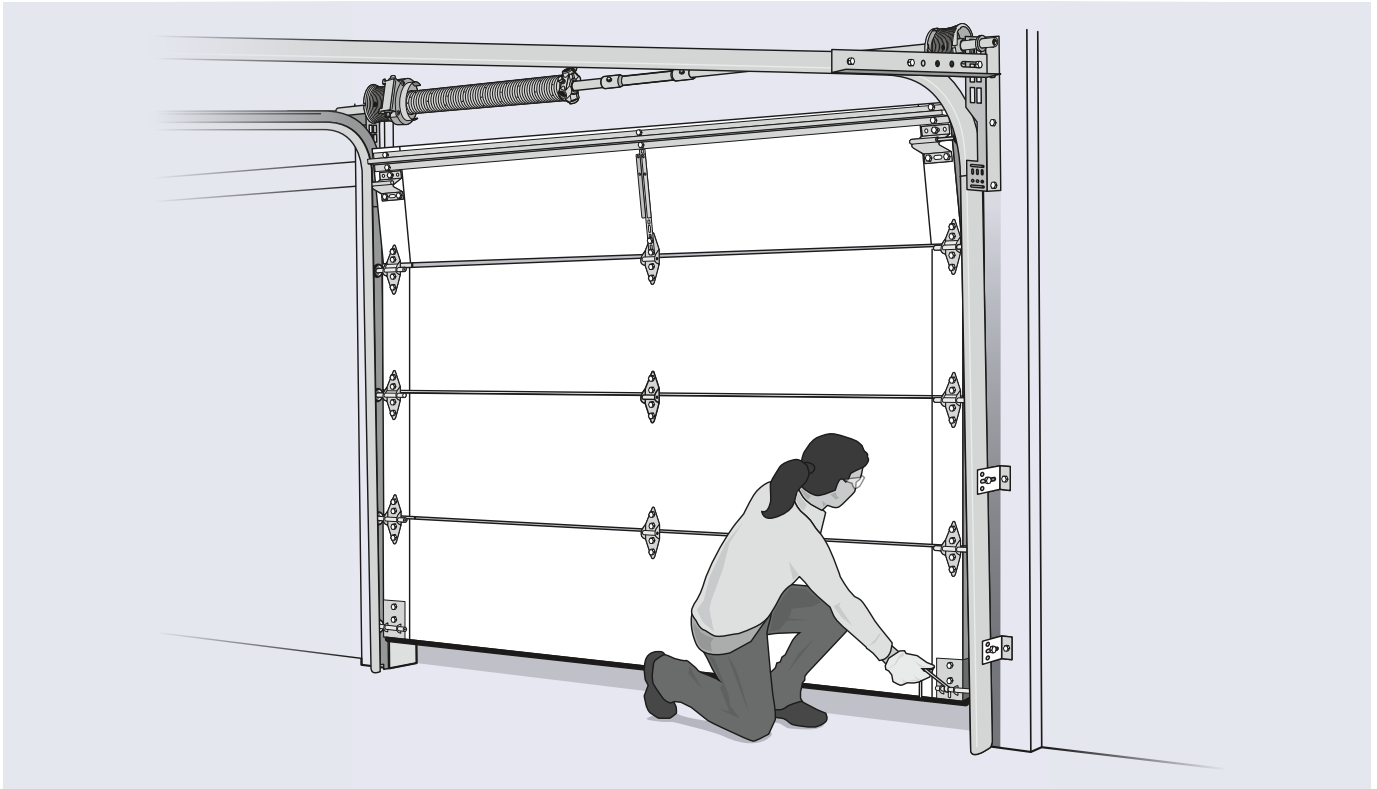
See page 26 for additional hardware options.

WARRANTY

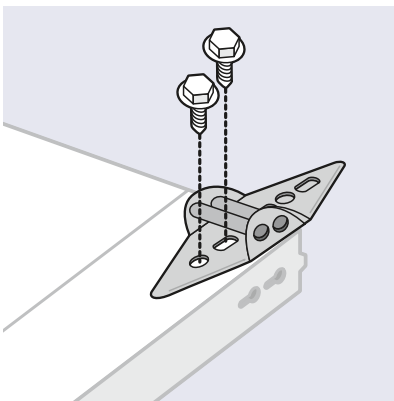


DO-IT-YOURSELF AND SAVE!

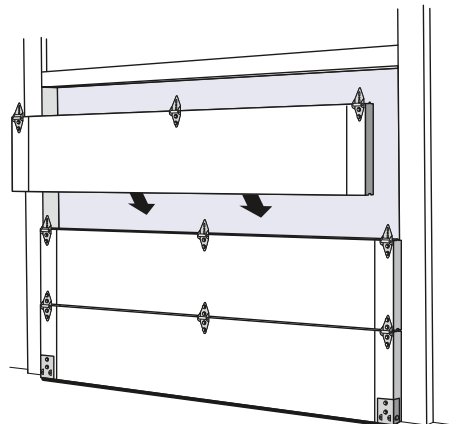
EASY INSTALLATION



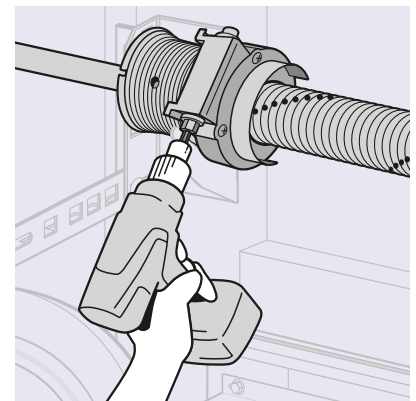
INSTALL USING SIMPLE TOOLS!



FASTEN
The Hardware



STACK
The Door



SET
The Spring

FASTER, SAFER AND EASIER

EZ-SET® TORSION SPRINGS



ALL THE
BENEFITS OF
STANDARD
TORSION,
PLUS...

FASTER

- Adjust spring tension in seconds with a power drill

SAFER

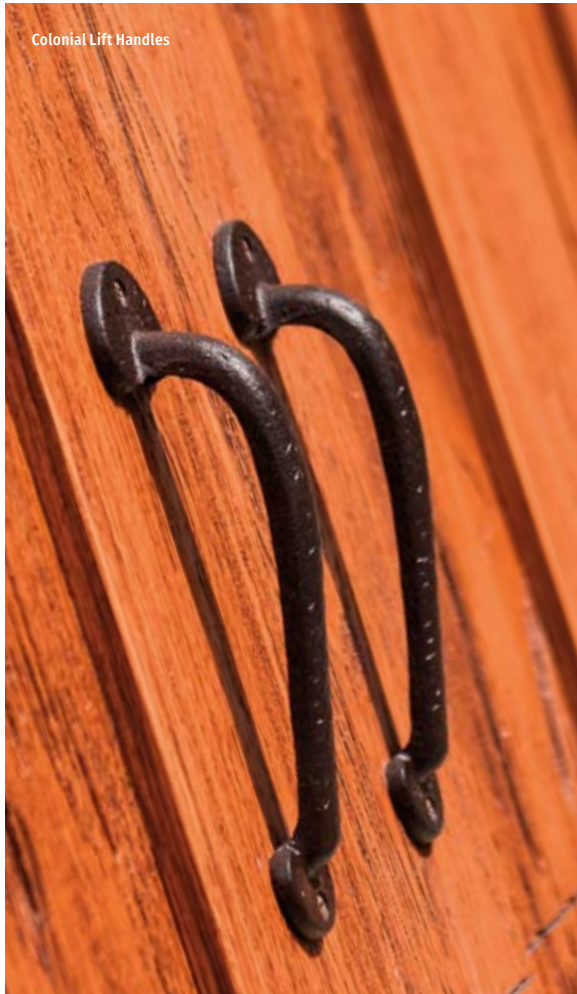
- Eliminates the need to lift the dead weight of the unsprung door
- No dangerous manual winding process

EASIER

- User-friendly 45° angle allows spring adjustment without a ladder
- Galvanized springs are clean, durable and last 50% longer

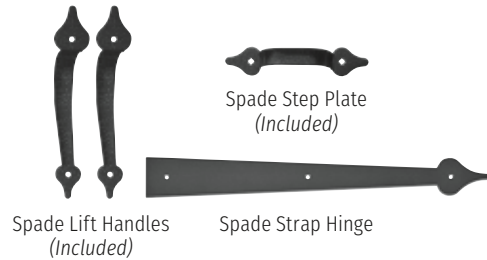
DECORATIVE **HARDWARE**

Optional hardware, including handles, operable L-keylocks, strap hinges and door knockers are available to provide a classic look.

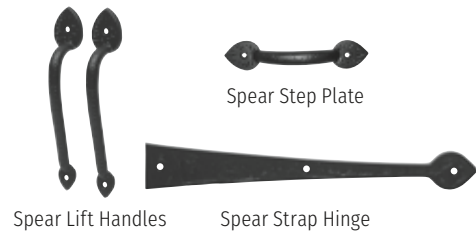


HARDWARE COLLECTIONS

SPADE HARDWARE COLLECTION



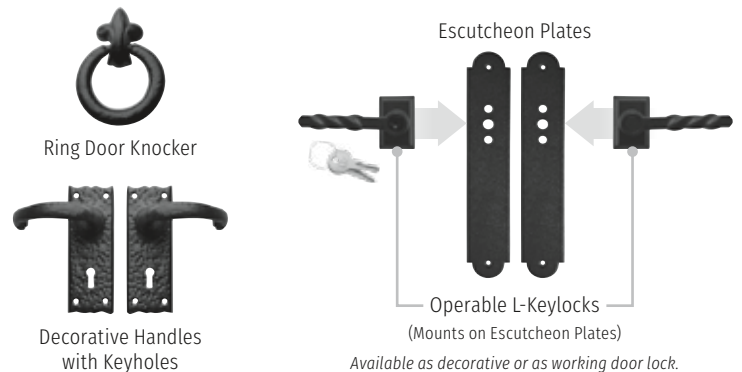
SPEAR HARDWARE COLLECTION



COLONIAL HARDWARE COLLECTION



MISCELLANEOUS HARDWARE

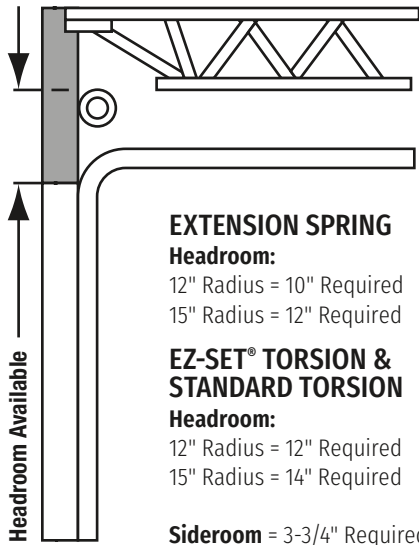


RESIDENTIAL

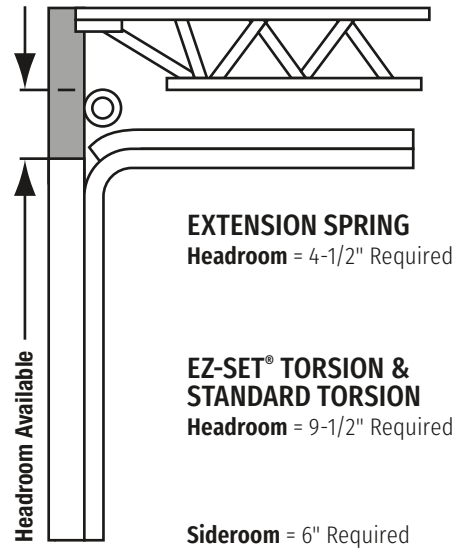
TRACK OPTIONS

Determine the right track option for your new residential garage door from the options below.

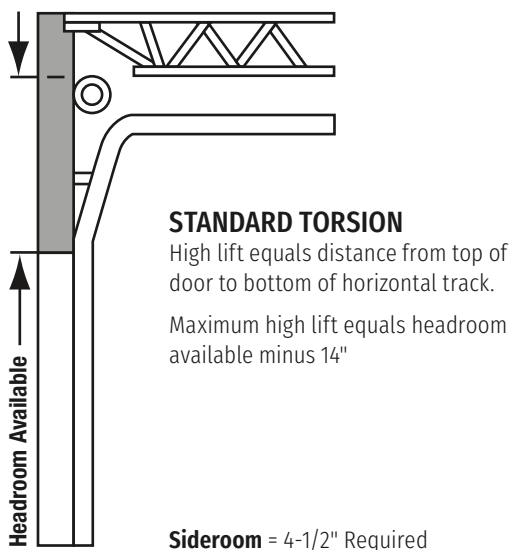
STANDARD RADIUS



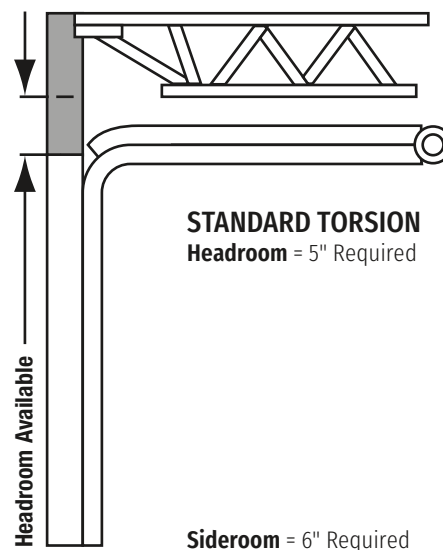
LOW HEADROOM FRONT MOUNT



HIGH LIFT



LOW HEADROOM REAR MOUNT



Headroom = Top of door to nearest obstruction (truss, ceiling or light fixture). Up to 3" of additional headroom may be required for a trolley door opener.

See back cover for information on how to measure for your new door.

COMMERCIAL STEEL PANEL

With 24"x12" Windows;
Shown in White



COMMERCIAL STEEL PANEL

BEST

3-LAYER CONSTRUCTION

STEEL + INTELLICORE® INSULATION + STEEL

Shown in White

SECTIONAL COMMERCIAL DOORS FOR EVERY TYPE OF BUILDING

Perfect for post frame buildings, storage sheds, oversize garages and commercial buildings. Commercial Steel Panel garage doors provide excellent temperature control, energy efficiency and long-lasting service for a wide range of applications.

- BEST construction features Intellicore® insulation to provide maximum energy efficiency
- Ribbed panel designs improve the appearance of your building



18.4 2"

16.2 1-3/4"

R-VALUE **intellcore®**
Warmer. Quieter. Stronger.

12.9 1-3/8"

R-VALUE **intellcore®**
Warmer. Quieter. Stronger.

BETTER

3-LAYER CONSTRUCTION

STEEL + INSULATION + STEEL



9.0 R-VALUE **2"** POLYSTYRENE
6.5 R-VALUE **1-3/8"** POLYSTYRENE

GOOD

2 & 1-LAYER CONSTRUCTION

STEEL + INSULATION STEEL (NON-INSULATED)

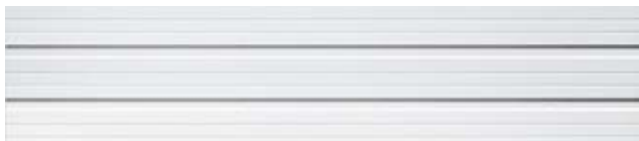


6.8 R-VALUE **1-3/8"** VINYL-BACKED POLYSTYRENE

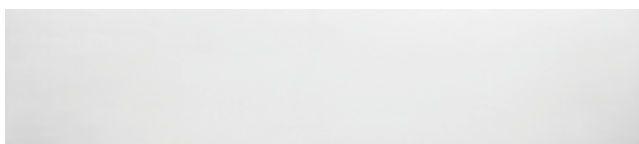
PANEL DESIGNS that enhance your building's architecture



RIBBED PANEL DESIGN
BEST & BETTER Models



DEEP RIBBED PANEL DESIGN
GOOD Models



FLUSH PANEL DESIGN
GOOD Models

COLORS to complement your building



White Commercial Tan Chocolate Mocha Brown



Gray Charcoal Black

NOTE: Not all colors are available on GOOD doors.

Due to the printing process, colors may vary.

WINDOWS add natural light to your building



24" x 12"
BEST & BETTER Models

24" x 8"
BEST & BETTER Models

24" x 6"
GOOD Models

WARRANTIES and additional information

10YR PAINT	FINISHED INTERIOR STEEL	TRACK, SPRINGS & HARDWARE INCLUDED
----------------------	-----------------------------------	--

WARRANTY ALL MODELS

BACK SURFACE BEST/BETTER MODELS

COMMERCIAL OPERATORS



Model T 50 11

TROLLEY OPERATORS

ATS – LIGHT-DUTY TROLLEY

- Standard Radius or Low Headroom Track
- 8 Cycles per Hour Usage
- 1/2 HP
- Rails for up to 10' High Door Standard
- Available up to 14' High Doors
- 1-Year Warranty

MODEL ATS Maximum Door Size in Sq. Ft. (W x H)		
Operator Model	Standard Doors	Commercial 20 ga. Steel
ATS 211	180 Sq. Ft.	120 Sq. Ft.

MT – MEDIUM-DUTY TROLLEY

- Standard Radius or Low Headroom Track
- 12 Cycles per Hour Usage
- 1/2 HP
- Rails for up to 12' High Door Standard
- Available up to 14' High Doors
- 2-Year Warranty

MODEL MT Maximum Door Size in Sq. Ft. (W x H)		
Operator Model	Standard Doors	Commercial 20 ga. Steel
MT 50 11	225 Sq. Ft.	150 Sq. Ft.

T – INDUSTRIAL-DUTY TROLLEY

- Standard Radius or Low Headroom Track
- High Cycle Usage
- Four HP Options (1/3, 1/2, 3/4, 1 HP)
- Rails for up to 12' High Door Standard
- Available up to 24' High Doors
- 2-Year Warranty

MODEL T Maximum Door Size in Sq. Ft. (W x H)			
Operator Model	HP	Standard Doors	Commercial 20 ga. Steel
T 33 11 L	1/3	260 Sq. Ft.	175 Sq. Ft.
T 50 11 L	1/2	320 Sq. Ft.	250 Sq. Ft.
T 75 11 L	3/4	450 Sq. Ft.	325 Sq. Ft.
T 10 11 L	1	560 Sq. Ft.	400 Sq. Ft.

JACKSHAFT OPERATORS



Model J 50 11

MJ – MEDIUM-DUTY JACKSHAFT

- High-Lift, Vertical Lift Track or 400M Roll-Up
- 12 Cycles per Hour Usage
- 1/2 HP
- 2-Year Warranty

J – INDUSTRIAL-DUTY JACKSHAFT

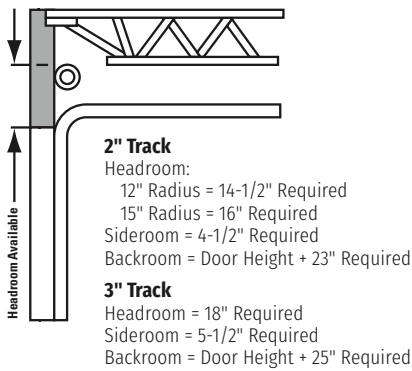
- High-Lift or Vertical Lift Track
- High Cycle Usage
- Four HP Options (1/3, 1/2, 3/4, 1 HP)
- Industrial Ball Bearings
- 2-Year Warranty

MODEL MJ Maximum Door Size in Sq. Ft. (W x H)		
Operator Model	Standard Doors	Commercial 20 ga. Steel
MJ 50 11	250 Sq. Ft.	160 Sq. Ft.

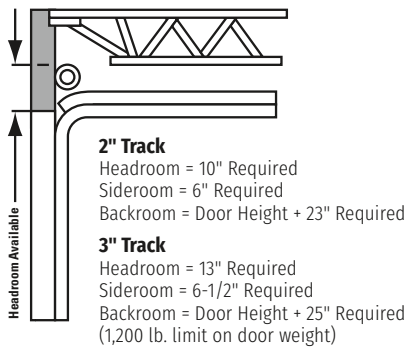
MODEL J Maximum Door Size in Sq. Ft. (W x H)			
Operator Model	HP	Standard Doors	Commercial 20 ga. Steel
J 33 11 L	1/3	260 Sq. Ft.	175 Sq. Ft.
J 50 11 L	1/2	320 Sq. Ft.	250 Sq. Ft.
J 75 11 L	3/4	450 Sq. Ft.	325 Sq. Ft.
J 10 11 L	1	560 Sq. Ft.	400 Sq. Ft.

COMMERCIAL TRACK & UPGRADE OPTIONS

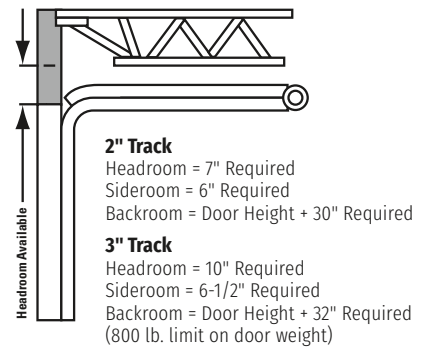
STANDARD RADIUS



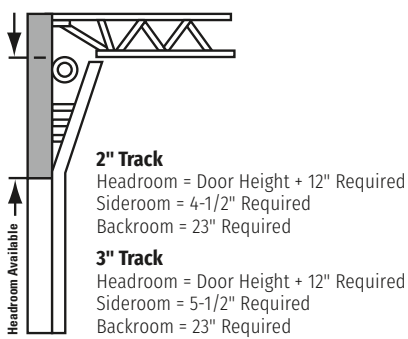
LOW HEADROOM FRONT MOUNT



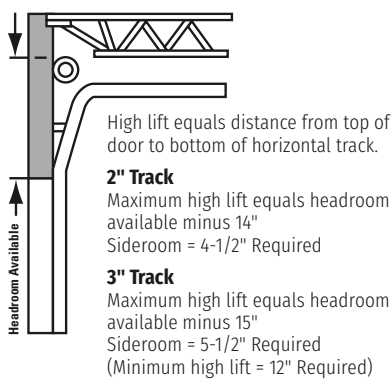
LOW HEADROOM REAR MOUNT



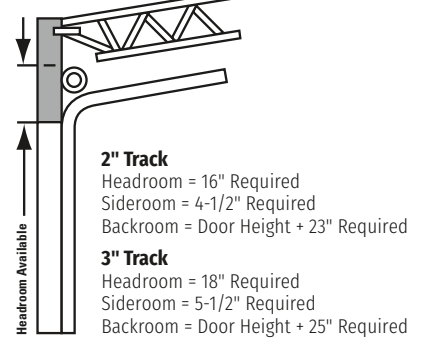
VERTICAL LIFT



HIGH LIFT



ROOF PITCH



Headroom = Top of door to nearest obstruction (truss)

Note: Up to 4" of additional headroom may be required for a trolley door opener.

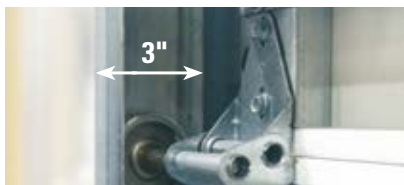
COMMERCIAL UPGRADES



HEAVY-DUTY ANGLE MOUNT TRACK
 Standard on large doors.



HEAVY-DUTY DOUBLE END HINGE
 Standard on large doors.



HEAVY-DUTY 3" TRACK
 Standard on large doors.



KEYED LOCK



EXHAUST PORT



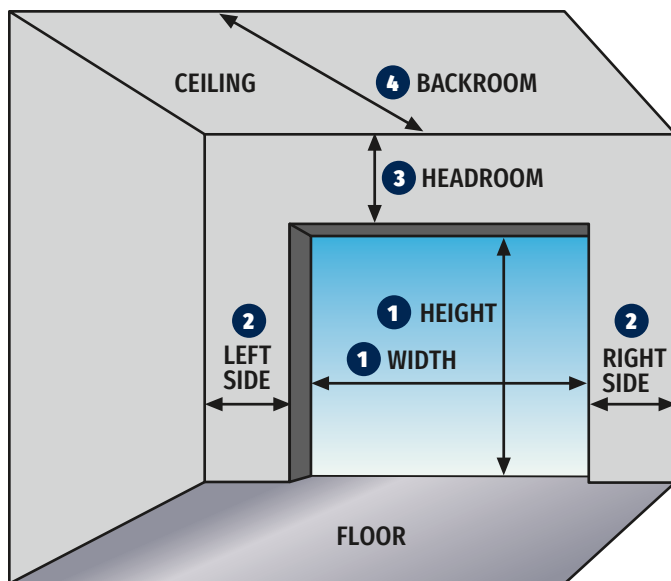
GARAGE DOORS

AMERICAN MADE FOR OVER 50 YEARS

Available at



MEASURING FOR YOUR NEW DOOR



- 1 Measure existing door width and height in feet and inches. This determines the size of door needed. The rough opening should be the same size as the door.

Width: _____ Height: _____

- 2 Measure for sideroom. Measure both the left and right and use the smallest measurement.

Sideroom: _____

- 3 Measure area labeled "headroom"– distance between the top of the door opening ("header") and the ceiling (or first obstruction, e.g., light fixture).

Headroom: _____

- 4 Measure area labeled "backroom"– distance is measured from the garage door opening toward the back wall of the garage.

Backroom: _____

Common garage door widths include 8', 9', 16' and 18'.
Common garage door heights include 7' and 8'.

YOUR DREAM DOOR IS JUST A FEW CLICKS AWAY!



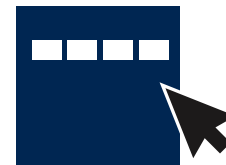
**THOUSANDS
OF
COMBINATIONS!**



**CHOOSE YOUR
STYLE - CONSTRUCTION - COLOR - WINDOWS**

**VISIT THE
GARAGE DOOR DESIGNER**

ON MENARDS.COM



Calculated door section R-values are in accordance with DASMA TDS-163.

In the interest of better quality and value, we are continually improving and updating our products. Consequently, photos, illustrations and available options may sometimes differ from present models. Ideal Door® is a trademark of Clopay Corporation. ©2019 Clopay Corporation, a Griffon company.

REID-RESICOMMBR-18_REV0719